



DLA Contract  
SPE8EC-19-D-0039

**GSA**

GSA Contract  
GS-30F-0027R



**LOWBOY, 55 TON**

**55LBE733283**



PRD-00733283 A.1



## **LOWBOY, 55 TON**

3+1 AXLE, DETACHABLE NON GROUND BEARING,  
MAXIMUM PAYLOAD 110,000 LBS



**HIGH QUALITY STEEL**



Constructed with T-1 100K PSI yield strength Steel. The High Tensile Steel ensures the designed camber is retained, and allows for a longer product service life.

**HEAVY DUTY FRONT OUTRIGGERS**



Globe Trailers fabricated heavy duty pullout front outriggers provide added strength which is needed to accommodate the initial force when loading equipment. The outrigger is held in position with a spring loaded locking pin.

**AIR BAGS**



30K pound rated large diameter air bags are standard. This allows for lower operating pressure and higher capacity when needed.

**WARRANTY**



Globe Trailer's 10 year structural warranty on all lowboys is the best in the industry. Most competitors offer only a 5 year warranty. This shows how committed Globe Trailers is to it's customers.

**STEMCO WHEEL WARRANTY**



5 year wheel end warranty. Guardian wheel seals, Pro-Torq spindle nuts and Sentinel hub caps.

**OPTIONAL FLIP BOX**



Flip box length options are available to achieve longer swing clearances when needed for longer truck frames or when coupling to single or multi-axle jeeps.

**22" DECK HEIGHT**



With a standard deck height of 22", Globe Trailers have lower overall height, which allows taller loads to be hauled.

**DECKING OPTIONS**



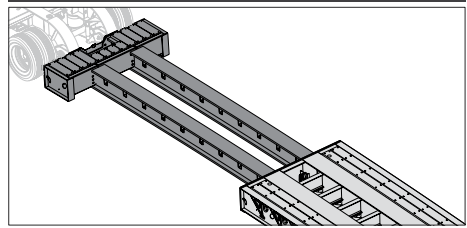
**Oak:** Standard.  
**Apitong:** Best strength to weight ratios of natural woods.  
**Rumber:** Composite which is impervious to fluids, mud, oil and UV rays.

**STANDARD FRONT RAMPS**



Standard Steel Front ramps, for ease of front loading.

**EXTENDABLE DECK**



The extendable deck allows for increasing the deck length to accommodate various load lengths.

**ADDED SECURITY**



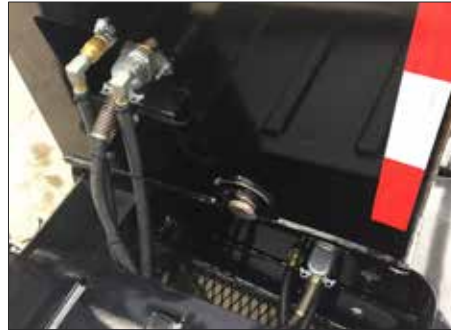
Globe Trailers air lock with safety bar and spring extended pin ensures that the gooseneck locking pin will remain secured even if air pressure is lost.

**V-STYLE GUIDE**



V-Style guide with front tapered beams helps position the gooseneck locking pin, which makes hooking up to a Globe Trailer fast and easy. The locking pin guide rim helps prevent the gooseneck locking pin from coming loose in transit.

**CENTRALLY LOCATED FITTINGS**



Air, electric and hydraulic (when applicable) fittings are all centrally located at the base of the gooseneck inside a bolster. This makes for quick and easy connect and disconnect. The fittings are protected from possible contact with equipment being loaded or unloaded.

**COLOR OPTIONS**



Globe Trailers can powder coat to the color of your choice.

**COLOR CODED HOSES**



Color coded air hoses allow for easy trouble shooting and maintenance.

**STINGER**



The Stinger Assembly increases the wheel base of the trailer when attached to the rear trailer frame. The Stinger Assembly is used for heavy hauling situations where regulations and specific axle loads must be adhered.

**MULTI POSITION RIDE HEIGHT**



Multi Position Ride Height options. Makes adjustments for various 5th wheel heights easy and allows for larger ground clearance or lower deck height.

**LIGHTING SYSTEM**



All Lighting is LED and mounted in rubber grommets to DOT standards.

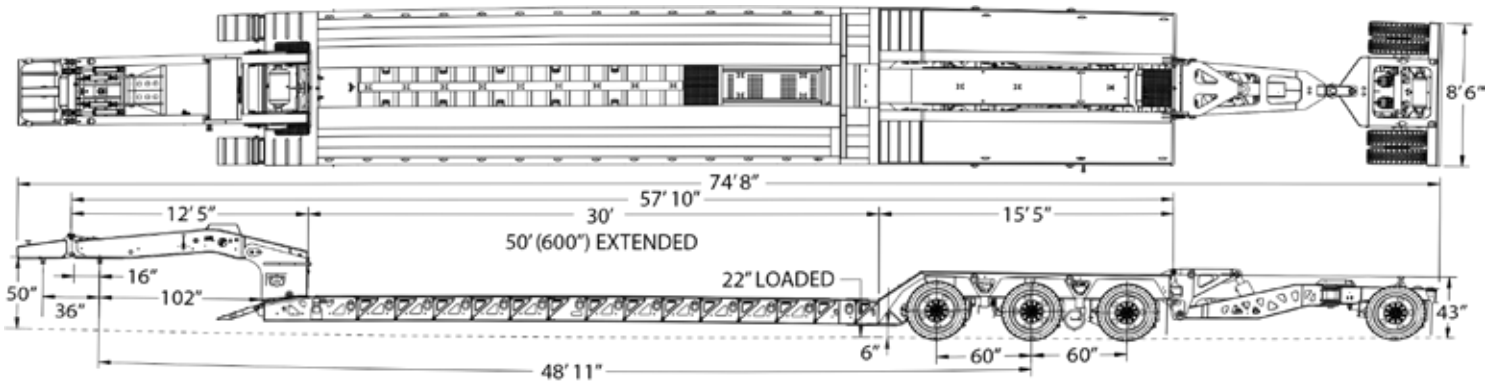
**POLYURETHANE VS RUBBER BUSHING**



Reduced Maintenance	Increased Maintenance
Increased Trailer Lifetime	Needs Replacement
Increased Trailer Performance	Reduces Trailer Performance
Weather Resistant	Damaged from Weather



All Globe Trailers are 100% powder coat finished. The entire process takes place at Globe's manufacturing facility. This eliminates the possibility of contamination occurring in transit between process phases. The process starts with sandblasting the trailer to near white, preheating the trailer steel in a dedicated, gas fired oven to optimum bonding temperature and applying an electrostatically charged zinc rich primer. The trailer then goes back in the oven to allow the primer to bond. After the primer has bonded, a top coat chosen from one of Globe Trailers' 188 color options is applied before once more going back in the oven to cure. The result is a durable, easily cleaned finish that protects the trailer from corrosion and ensures a long service life.



Trailer Model: GTBN553-58-30-HGG

Weight: Apx. \_\_\_\_\_ ± lbs

Overall Length	Overall Width	Gooseneck Length	Lower Deck Length	Lower Deck Height	Rear Deck Length	Rear Deck Height	Ground Clearance
74' 8"	8' 6"	12' 5"	30'	22" Loaded	15' 5"	43"	6"

Main Deck	
Main Beam	16" T-1 Steel Std.
Centers	40" Std.
Side Rails	16" T-1 Steel
Crossmembers	10"
Spacing	12"
Outriggers	Full Height Removable
# Of D-Rings	14 Ea Side
Front Ramps	Steel, 18" x 31" Std.
Rear Deck	
Riser	35° Rear Bridge Ramp
Rear Well Style	Boom & Bucket Well
# of D-Rings	2 Each Side
Rear Deck Beam	16.5" T-1 Steel
Set up for hydraulic powered flip	
Rear Deck Options	
V-style plates to be 6" tall w/logo cut out	
Pony motor cover to have logo cut out	
Inner wheels to be color matched	
Decking/Flooring	
Main Decking	1.75" Apitong - Open Center
Wheel Covers	Steel Covered S-Plate
Well Decking	Removable V-style Full length
Electrical	
Lights	LED Plus 2 - Rear Strobes
Connector	7 Way Connector
Safety Night Light Package w/Battery	
Tires & Rims	
Tires	275/70R x 22.5 "H"
Rims	8.25 x 22.5 Hub Piloted Outer Aluminum

Axles, Suspension, & Running Gear	
# of Axles	3+1
Axle Spacing	60"
Axle Capacity	25,000lbs
Brakes	16 1/2" x 7" - 25K
ABS	2S1M
Axle 1	Fixed Type 30/30 Non-ABS
Axle 2	Fixed Type 30/30 ABS
Axle 3	Super Lift Type 30 Non-ABS
Axle 4	Hydraulic stinger flip axle
Air Ride Suspension - 25K	
Manual Dump, Air Ride Adj.	
Gooseneck	
King Pin Style	Removable
King Pin Setting	16" & 36"
Swing Clearance	102"
5th Wheel Height	50"
King Pin	2"
Ride Height	5-Position
36" Flip Box & Set Up, Hydraulic Powered Flip Box	
Hydraulics	
Wet Line Kit - Wing Nut Connection	
13 HP Honda - Gas	
Finish	
Sandblast & Powder Coat	
Mud Flaps & Reflective Tape	
Flag Holders	

Dealer: