



LOWBOY, 80 TON
80 Ton 3+3+3 West Coast
80LB11204



LOWBOY, 80 TON
3 AXLE, DETACHABLE NON GROUND BEARING,
MAXIMUM PAYLOAD 160,000 LBS



LOWBOY, 80 TON

Features & Benefits



24" Deck Height



With a standard deck height of 24", Globe Trailers have lower overall height, which allows taller loads to be hauled.

Color Options



Globe Trailers can powder coat to the color of your choice.

High Quality Steel



Constructed with 100,000 psi yield strength steel for the side rails and main beams. The high tensile steel ensures the designed camber is retained, and allows for a longer product service life.



Air Bags



30,000 pound rated large diameter air bags are standard. This allows for lower operating pressure and higher capacity when needed.

Lighting System



All Lighting is LED and mounted in rubber grommets to DOT standards.

Wheel Options



All Globe trailers come with standard HUB piloted disc wheels. Wheels are also available in all Aluminum or Outer Aluminum.

LOWBOY, 80 TON

Features & Benefits



Decking Options



Oak: Standard.

Apitong: Best strength to weight ratios of natural woods.

Rumber: Composite which is impervious to fluids, mud, oil and UV rays.

STEMCO Wheel Warranty



5 year wheel end warranty. Guardian wheel seals, Pro-Torq spindle nuts and Sentinel hub caps.

Centrally Located Fittings



Air and Electric fittings are all centrally located at the base of the gooseneck. This makes for a quick and easy connect and disconnect.



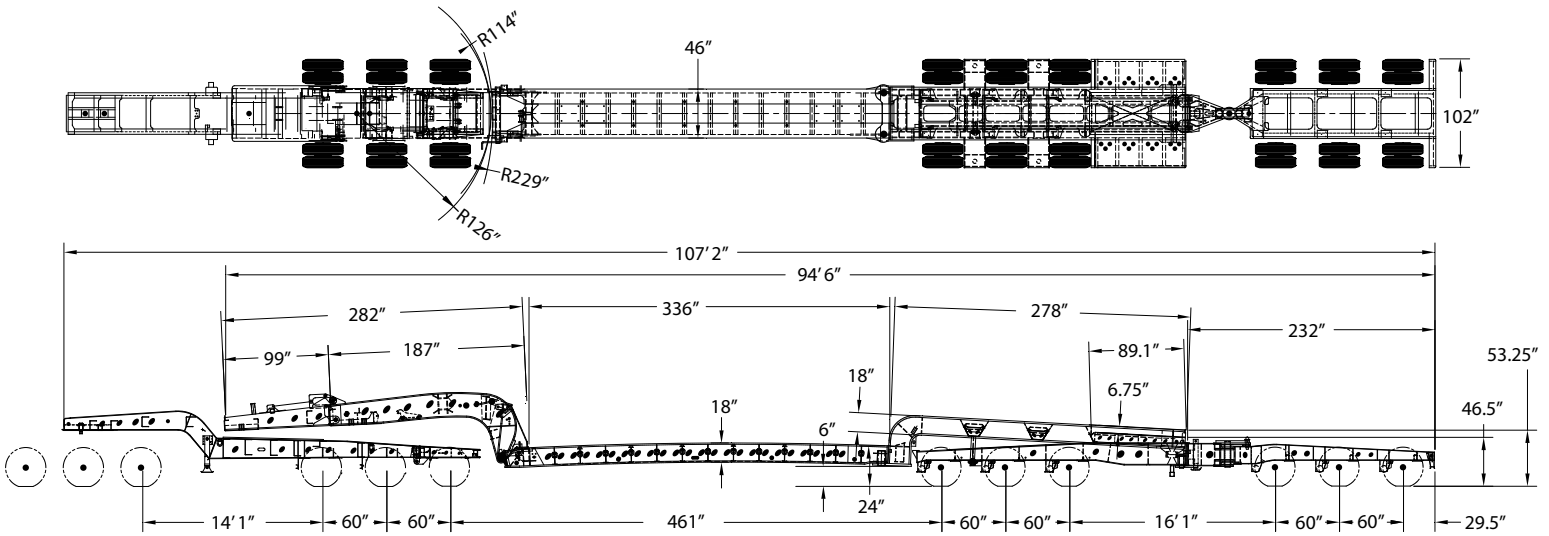
Color Coded Hoses



Color coded air hoses allow for easy trouble shooting and maintenance.



All Globe Trailers are 100% powder coat finished. The entire process takes place at Globe's manufacturing facility. This eliminates the possibility of contamination occurring in transit between process phases. The process starts with sandblasting the trailer to near white, preheating the trailer steel in a dedicated, gas fired oven to optimum bonding temperature and applying an electrostatically charged zinc rich primer. The trailer then goes back in the oven to allow the primer to bond. After the primer has bonded, a top coat chosen from one of Globe Trailers' 188 color options is applied before once more going back in the oven to cure. The result is a durable, easily cleaned finish that protects the trailer from corrosion and ensures a long service life.



Overall Length	Overall Width	Gooseneck Length	Lower Deck Length	Lower Deck Height	Rear Deck Length	Rear Deck Height	Ground Clearance
66' 9" (801")	8' 6" (102")	15' 7" (187")	28' (336")	24"	23' 2" (278")	46.5"	6"

Main Deck	
Main Beam	18" T-1 Steel
Centers	41" Standard
Side Rails	18" T-1 Steel
Crossmembers	7"
Spacing	24"
# of D-Rings	13 Per Side
Front Ramps	Steel 18" x 31"
Rear Deck	
Riser	90° Rear Bridge Ramp
Rear Deck Beam	16" T-1 Steel
Rear Well Style	Boom & Bucket Well
# of D-Rings	2 Per Side
Set up for 3+2 or 3+3 axle stinger	
Pin on rear deck shimable	
Decking/Flooring	
Wheel Covers	Steel Covered S-Plate
Well Decking	Open
Electrical	
Lights	LED Plus 2 - Rear Strobes
Connector	7 Way Connector
Additional	Neck Light Package w/Back Ups
Tires & Rims	
Tires	275/70R x 22.5 "H" Michelin
Rims	8.25 x 22.5 Hub Piloted All Aluminum
Hydraulics	
Wet Line Kit - Quick Coupler Connection	

Axles, Suspension, & Running Gear	
# of Axles	3
Axle Spacing	60"
Axle Capacity	25,000lbs
Axle Track	77 1/2"
Brakes	16 1/2" x 7" - 25K
Axle 1	Fixed Type 30 Non-ABS
Axle 2	Fixed Type 30/30 Non-ABS
Axle 3	Fixed Type 30 Non-ABS
Ridewell Air Ride Suspension - 25K	
Manual Dump	
Dual Air Ride Adj.	
Gooseneck	
King Pin Style	2-Position Removable
King Pin Setting	16" & 28"
Swing Clearance	114", 126", 229"
5th Wheel Height	50"
King Pin	2" Removable
Ride Height	5-Position
99" Flip Box	
Finish	
Sandblast & Powder Coat (Black)	
Mud Flaps & Reflective Tape	
Flag Holders (4)	
Dealer:	